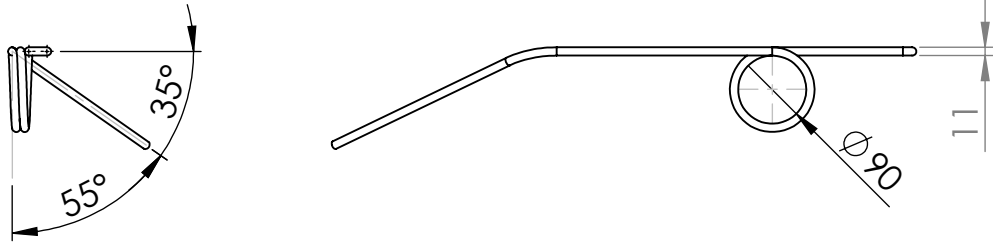


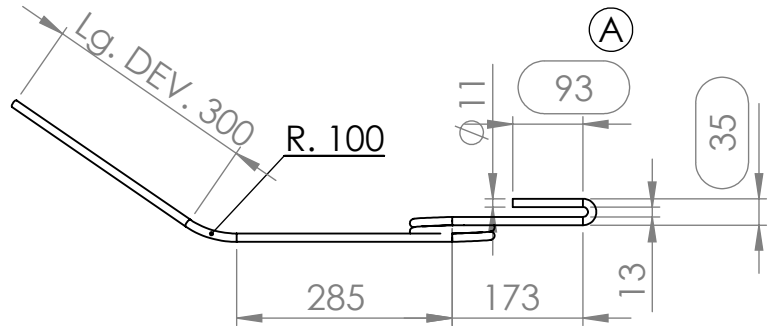
Zone	Ind.	Description	Design	Validation	Date
	A	Alongement du retour de 15mm	C. DROUET	Ecodyn	23/04/2018

A

B



C



D



E

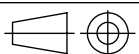
GENERAL TOL.: ±	MASS: / kg	DESIGN: C. DROUET	DATE: 09/06/2017
ANGULAR TOL.: ±°	MATERIAL: ACIER RESSORT	SURF. TREAT: RAL. 9005	DATE: 09/06/2017
		ROUGH.: Ra	

Dent simple droite de herse

HP582

Eco-Dyn

Vernoux
49370 Bécon Les Granits
France
Tel : +33 2 41 77 46 11
www.ecodyn.fr



100702

INDEX: A

SCALE: 1:10

SHEET: 1/1